

**SitaStandard**  
The classic.  
Robust and reliable.



- + Maximum discharge volume
- + Up to size DN 200
- + Robust construction
- + Homogeneous roofing membrane connection
- + Suitable for bridging all insulation thicknesses from 60 to 520 mm



**SitaStandard**  
vertical



**SitaStandard**  
vertical, heated



**SitaStandard**  
stepped outlet



**SitaStandard**  
angled



**SitaStandard**  
angled, heated



**SitaStandard**  
extension unit



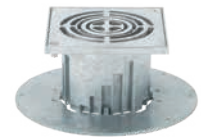
**SitaMore**  
retaining element



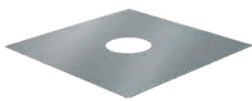
**SitaStandard**  
insulating body  
for rainwater outlet



**SitaStandard**  
insulating body  
for extension unit



**SitaMore**  
terrace kit



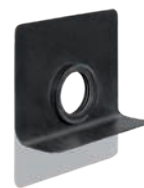
**SitaMore**  
reinforcement plate



**SitaMore**  
safety heating system



**SitaAttika**  
pipe system



**SitaMore**  
vapour barrier plate flex



**SitaAttika**  
cladding cover plate

# SitaStandard

## Product features at a glance

### Product features

<b>Areas of use</b>	<b>For main and emergency drainage to DIN EN 12056-3 and DIN 1986-100 for large used and unused flat and slightly pitched roofs.</b>
<b>Material</b>	<b>Polyurethane</b>
<b>Connection type</b>	<b>Connection sleeve</b>
<b>Design</b>	<b>Vertical or angled</b>
<b>Version</b>	<b>Heated with 2000 mm cable length or unheated</b>
<b>Colour</b>	<b>Yellow</b>
<b>Finish</b>	<b>Smooth</b>
<b>Temperature resistance min.</b>	<b>-20 °C</b>
<b>Temperature resistance max.</b>	<b>80 °C</b>
<b>Building material class</b>	<b>B2 normal flammability</b>
<b>General characteristics</b>	<b>Clean, no bubbles, cavities, cracks or the like</b>
<b>Properties</b>	<ul style="list-style-type: none"> <li>+ Thermally insulated</li> <li>+ Excellent weather resistance (UV/IR radiation)</li> <li>+ Resistant to normal environmental effects</li> <li>+ Impact and shock resistant</li> <li>+ Durable</li> </ul>
<b>Workmanship</b>	<p>The general rules of engineering as well as the installation examples and installation instructions of Sita Bauelemente GmbH form the basis. The installation examples are for illustration purposes only and are a general, non-binding recommendation. The design is shown in schematic form only and does not replace the necessary work, detail and installation planning by the contractor. The customer, planner, contractor, etc. is responsible for checking the suitability, completeness and dimensions for the project and adjusting or tailoring the components to suit local requirements. Neighbouring works are shown in schematic form with no guarantee of their being complete or correct. The technical specifications in the information sheets, workmanship guidelines and system permits must be adhered to.</p>

### Quality marks



# SitaStandard vertical

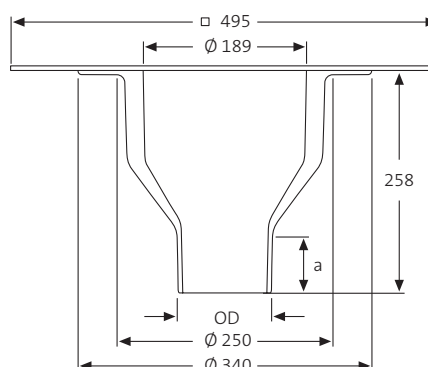


## Tender text

**SitaStandard roof outlet, vertical,** made of polyurethane, thermally insulated to DIN EN 1253-2 with enhanced quality standard to RAL quality mark GZ-694, in sizes DN 70, DN 100, DN 125, DN 150 and DN 200. For direct connection to pipes with a socket, for conventional drainage, with integrated selected connection sleeve (495 mm x 495 mm) to suit the roofing membrane and with securing ring for additional securing of the connection sleeve and for supporting the supplied dome grate, supply and installation to professional standards.

**SitaStandard roof outlet, vertical, heated,** made of polyurethane, thermally insulated to DIN EN 1253-2 with enhanced quality standard to RAL quality mark GZ-694, in sizes DN 70, DN 100, DN 125, DN 150 and DN 200. For direct connection to pipes with a socket, for conventional drainage, with integrated selected connection sleeve (495 mm x 495 mm) to suit the roofing membrane and with securing ring for additional securing of the connection sleeve and for supporting the supplied dome grate, with integrated heating element for sizes DN 70 to DN 150, DN 200 with safety heating system and 2.0 m cable for direct connection to 230 V with a heat rating of approx. 10 W. Supply and installation to professional standards.

## Technical drawing



## Nominal diameters, dimensions, core drill hole and article numbers

Size DN	OD*	a (mm)	Opening/Core drill hole (mm)	Article number without heating	Article number with heating
70	75	65	ø 250	10 02 xx	10 03 xx
100	110	68		10 04 xx	10 05 xx
125	125	69		10 06 xx	10 07 xx
150	160	77		10 08 xx	10 09 xx
200	200	101		10 10 xx	10 11 xx

\*OD =Outer diameter (mm)

xx = Article end numbers for selected connection sleeve, see page 67

## Drainage capacities in l/s to DIN EN 1253

DN	Head of water (mm)												
	5	10	15	20	25	30	35	40	45	50	55	60	65
70	0.7	1.7	2.7	3.8	4.8	6.0	7.1	8.3	9.4	10.8	12.2	13.5	14.8
100	0.7	1.8	2.8	3.8	4.8	6.1	7.4	8.5	9.6	11.0	12.3	13.6	14.8
125	0.7	1.8	2.9	4.1	5.2	6.4	7.6	8.7	9.7	11.0	12.3	14.1	15.8
150	0.6	1.6	2.6	3.6	4.6	5.9	7.2	8.2	9.2	11.0	12.8	14.0	15.1
200	0.5	1.5	2.5	3.5	4.5	5.8	7.1	8.1	9.2	10.6	12.0	13.3	14.5

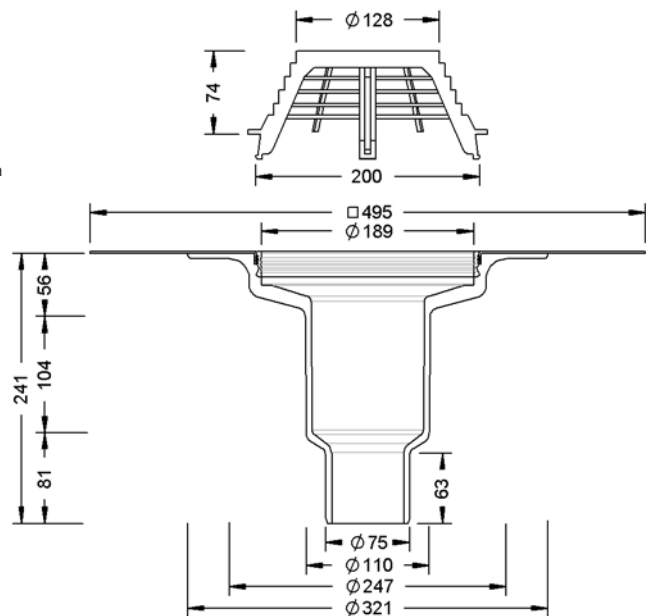
# SitaStandard stepped outlet



## Tender text

**Sita stepped outlet**, vertical, made of polyurethane, thermally insulated according to DIN EN 1253-2 with increased quality standard according to RAL GZ-694 quality mark, nominal size DN 70 and DN 100. Discharge rate 7.0 l/s and 7.5 l/s at 35 mm retaining height. For direct connection to pipes with plug-in sleeve, for conventional drainage, with large foamed-in connection sleeve of choice (495 mm x 495 mm) according to roof waterproofing and with fixing ring for additional securing of the connection sleeve and for intake of the enclosed grating, deliver and install expertly.

## Technical drawing



## Nominal diameters, core drill hole and article number

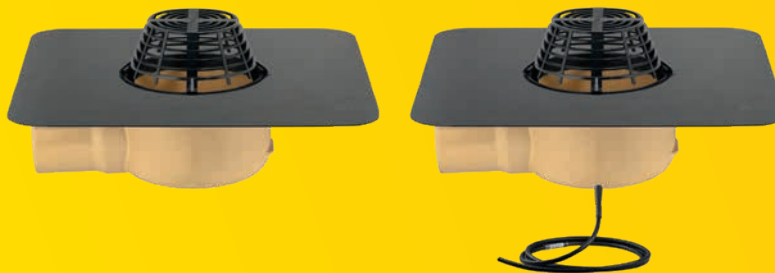
Size DN	OD*	Opening/ core drill hole (mm) (mm)	Article number
70/100	75/110	250	10 30 xx

\*OD =Outer diameter (mm)

## Drainage capacities in l/s to DIN EN 1253

DN	Head of water (mm)												
	5	10	15	20	25	30	35	40	45	50	55	60	65
70	0,7	1,8	2,8	3,8	4,7	5,8	7,0	8,2	9,4	10,8	12,1	13,4	14,7
100	0,7	1,8	2,8	4,0	5,2	6,4	7,5	8,7	9,8	11,1	12,4	13,8	15,2

# SitaStandard angled

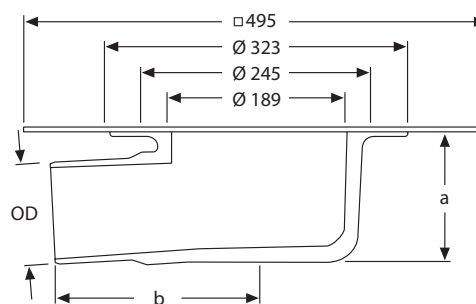


## Tender text

**SitaStandard roof outlet, angled,** made of polyurethane, thermally insulated to DIN EN 1253-2 with enhanced quality standard to RAL quality mark GZ-694, in sizes DN 70, DN 100 and DN 125. For direct connection to pipes with a socket, for conventional drainage, with large integrated selected connection sleeve (495 mm x 495 mm) to suit the roofing membrane and with securing ring for additional securing of the connection sleeve and for supporting the supplied dome grate, supply and installation to professional standards.

**SitaStandard roof outlet, angled, heated,** made of polyurethane, thermally insulated to DIN EN 1253-2 with enhanced quality standard to RAL quality mark GZ-694, in sizes DN 70, DN 100 and DN 125. For direct connection to pipes with a socket, for conventional drainage, large integrated selected connection sleeve (495 mm x 495 mm) to suit the roofing membrane and with securing ring for additional securing of the connection sleeve and for supporting the supplied dome grate, with integrated heating element and 2.0 m cable for connecting direct to 230 V with a heat rating of approx. 10 W. Supply and installation to professional standards.

## Technical drawing



## Nominal diameters, dimensions, core drill hole and article numbers

Size DN	OD*	a (mm)	b (mm)	Recess dimension (mm)	Article number without heating	Article number with heating
70	75	122	224	250 x 350	10 14 xx	10 15 xx
100	110	145	222		10 16 xx	10 17 xx
125**	125	148	298	250 x 430	10 18 xx	10 19 xx

\*OD =Outer diameter (mm)

\*\*with transition from DN100 to DN125  
When installing pipework within the insulation, it is necessary to secure the transition with a safety clamp.

xx = Article end numbers for selected connection sleeve, see page 67

## Drainage capacities in l/s to DIN EN 1253

DN	Head of water (mm)													
	5	10	15	20	25	30	35	40	45	50	55	60	65	
70	0.7	1.8	2.8	3.8	4.7	5.8	6.9	7.9	8.9	10.2	11.5	11.5	11.5	
100	0.5	1.5	2.4	3.4	4.3	5.3	6.3	7.5	8.6	9.8	11.0	11.0	11.0	
125	0.8	1.9	2.9	4.1	5.3	6.3	7.3	8.4	9.4	10.8	12.1	13.2	14.3	

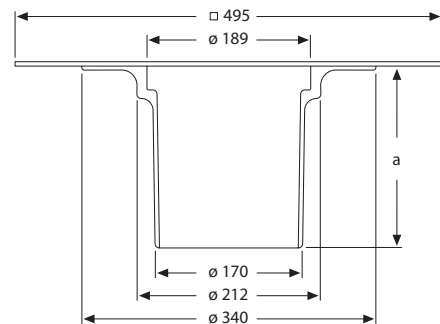
# SitaStandard extension unit



## Tender text

**SitaStandard extension unit**, made of polyurethane, to DIN EN 1253-2 with enhanced quality standard to RAL quality mark GZ-694, for insulation thicknesses of 60-520 mm. With integrated selected connection sleeve (495 mm x 495 mm) to suit the roofing membrane and with securing ring for additional securing of the connection sleeve and for supporting the supplied dome grate. Complete with lubricant and multi-lip angle sealing ring to securing backflow, supply and installation to professional standards.

## Technical drawing

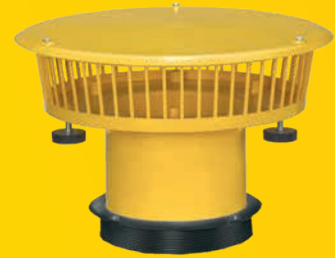


## Heights, bridging sizes of thermal insulation and article numbers

a (mm)	Bridging of thermal insulation from-to (mm)	Article number
206	60-160	10 25 xx
254	60-220	10 26 xx
555	60-520	10 50 xx

xx = Article end numbers for selected connection sleeve, see page 67

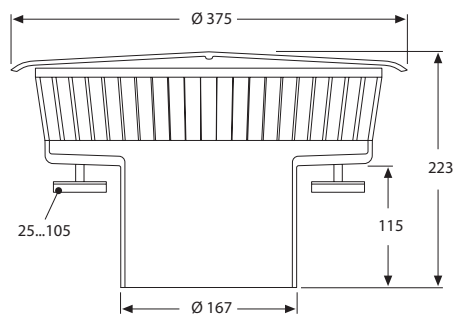
# SitaMore retaining element



## Tender text

**SitaMore retaining element**, made of polyamide, to DIN EN 1253-2 with enhanced quality standard to RAL quality mark GZ-694, for SitaStandard roof outlets and extension units, for emergency drainage, for retaining heights of 25-105 mm and for SitaMulti roof outlets and extension units for emergency drainage, for retaining heights of 35-105 mm, with multi-lip angle seal to seal the retaining element against the roof outlet or extension unit. With three infinitely height-adjustable rubber/metal buffers, installation area per foot: 19.6 cm<sup>2</sup>, with galvanised threaded rod M 8 mm x 90 mm, with bolted sealed cover which can be removed for inspection, housing with 51 surrounding lugs, in yellow signal colour. Retaining heights are infinitely adjustable, with large inlet pot to increase drainage capacity, supply in full and installation to professional standards.

## Technical drawing



## Retaining height and article number

Head of water from-to (mm)	Article number
25-105	10 90 01

## Drainage capacities in l/s to DIN EN 1253

SitaStandard with SitaMore retaining element														
DN	Support gradient	Head of water (mm)												
		5	10	15	20	25	30	35	40	45	50	55	60	65
70	3° angled	1.2	2.3	3.3	4.8	6.2	7.8	9.4	11.3	13.1	14.2	15.3	15.4	15.5
	Vertical	1.2	2.2	3.1	4.6	6.0	7.6	9.2	11.1	13.0	13.9	14.8	14.9	14.9
100	3° angled	1.2	2.3	3.4	4.9	6.3	8.1	9.8	11.8	13.8	16.5	19.1	22.9	26.7
	Vertical	1.6	2.8	4.0	5.5	7.0	8.8	10.5	12.3	14.1	16.7	19.3	22.8	26.2
125/125	3° angled	1.2	2.3	3.3	4.8	6.2	7.6	8.9	10.3	11.6	12.1	12.6	12.8	12.9
125	Vertical	1.2	2.3	3.4	4.9	6.3	7.9	9.5	11.6	13.6	16.1	18.6	21.9	25.2
150	Vertical	1.4	2.4	3.4	4.9	6.3	8.0	9.6	11.6	13.6	16.2	18.7	22.3	25.8



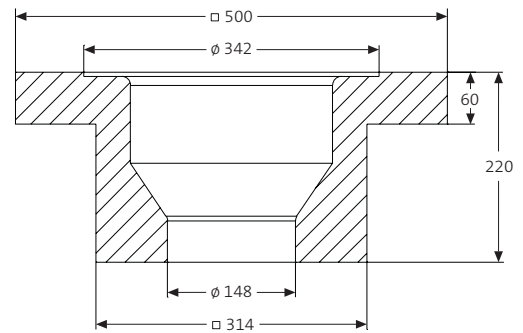
# SitaStandard insulating body for rainwater outlet



## Tender text

**SitaStandard insulating body for rainwater outlet** made of extruded polystyrene foam, WLS 037, 500 mm x 500 mm x 220 mm, fire class B1 (low flammability), to DIN 4102-1. For thermal insulating and for use as concealed formwork, supply and installation to professional standards.

## Technical drawing



## Series, dimensions and article numbers

For series	Article number
SitaStandard vertical up to DN 125	E10 90 03

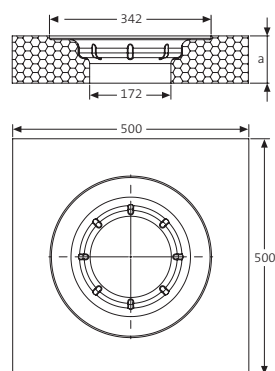
# SitaStandard insulating body for extension unit



## Tender text

**SitaStandard insulating body for extension unit**, made of polyurethane, for easy bonding to the vapour barrier, without mechanical fastening of the extension unit by bonding to the insulation body, for example with Terokal insulation adhesive TK 395, size 500 x 500 x 100 mm or 500 x 500 x 60 mm, thermal conductivity  $\lambda=0.025$  W/mK, compressive strength 200 kPa, density approx. 50 kg/m<sup>3</sup>, as an installation aid and thermal insulation for the prevention of thermal bridges. Supply and installation to professional standards.

## Technical drawing



## Series, dimensions and article numbers

For series	a (mm)	Article number
SitaStandard	100	10 90 05
	60	10 90 06

# SitaMore terrace kit

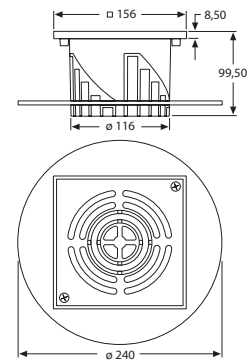


SitaStandard

## Tender text

**SitaMore terrace kit**, made of aluminium, for SitaTrendy, SitaStandard, SitaSani® 63/90, Sitalndra, SitaTrendy and SitaStandard extension units. Consisting of height adjustment ring, housing (height-adjustable from 34 - 100 mm) and grating with included slots to pick up downpipes in nominal width DN 50 and DN 70, supply in full and installation to professional standards.

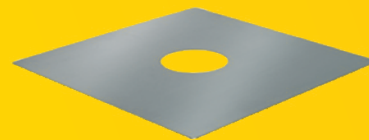
## Technical drawing



## Model and article number

For model	Article number
SitaStandard SitaTrendy Sitalndra SitaSani® 63/90	E15 90 63

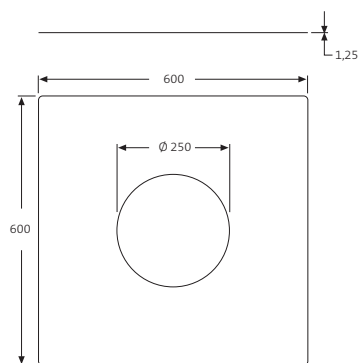
# SitaMore reinforcement plate



## Tender text

**SitaMore reinforcement plate**, made of galvanised sheet steel, to reinforce small penetrations in the trapezoidal steel sheet, for SitaDSS Profi, SitaStandard, SitaTrendy, SitaTrendy screw-on flange, SitaVent system vent DN 150/160, SitaMulti and SitaDSS, supply and installation to professional standards.

## Technical drawing



## Model and article number

For model	Article number
SitaStandard/SitaTrendy/ SitaTrendy screw-on flange/ SitaMulti/SitaDSS Multi/ SitaDSS Profi/SitaVent system vent DN 150	10 90 00

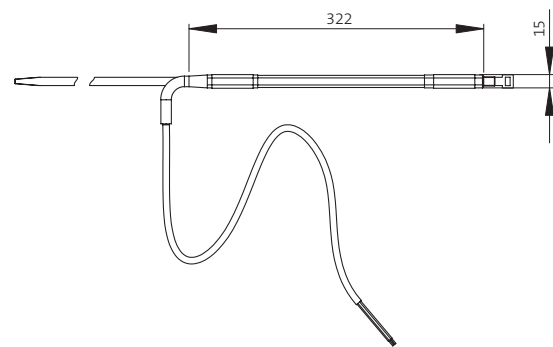
# SitaMore safety heating system



## Tender text

**SitaMore pipe sleeve heating**, for heating roof outlets and pipes, self-regulating PTC heating element with a heat rating of approx. 10 W at -20 °C and 230 V, with two cable ties for easy securing to pipes or roof outlets. No transformer required. Supply and installation to professional standards.

## Technical drawing



## Power supply and article number

Power supply	Article number
230 V (heat rating at -20°C approx. 10 W)	10 90 35

# SitaAttika pipe system



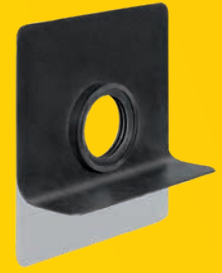
## Tender text

**SitaAttika pipe system**, made of stainless steel, material number 1.4301, to DIN EN 1124-2 as a connecting pipe system with EPDM lip seal fitted in the socket at the factory, sharp end with a 20° phase to simplify assembly. Completely dip treated to ensure a smooth, matt silver surface. Supply in full and installation to professional standards.

## Products and tender texts

Products	DN from-to	Length from-to (mm)	Version
SitaAttika pipe 	50-150	500-5000	
SitaAttika bend 	50-150		15°-87.5°
SitaAttika cleaning port 	70-125		
SitaAttika pipe clamp 	70-150		
SitaAttika safety clamp 	50-150		
SitaAttika transition adapter 	70-125		
SitaAttika reduction piece 			DN 110 to DN 75 DN 125 to DN 110
SitaAttika branch 45° 	75-110		
SitaAttika branch 87.5° 	75-125		

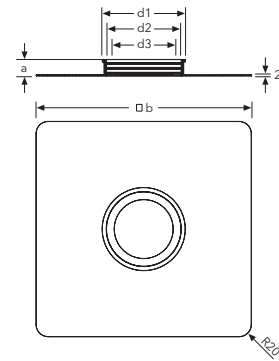
# SitaMore vapour barrier plate flex for round pipe



## Tender text

**SitaMore vapour barrier plate flex for round pipe**, made of EPDM, with adhesive flange for flexible steamtight connection of the vapour barrier to round pipes in sizes DN 50, DN 70, DN 100, DN 125 and DN 150, with a multi-lip integrated sealing area, supply and installation to professional standards.

## Technical drawing

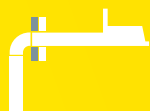


## Nominal diameters, dimensions and article numbers

Size DN	Pipes (mm)	d1 (mm)	d2 (mm)	d3 (mm)	a (mm)	b (mm)	Article number
50	ø 50 - ø 58	ø 76	ø 62	ø 44	27	352	18 50 90
70	ø 72 - ø 83	ø 105	ø 91	ø 67	27	352	18 70 90
100	ø 102 - ø 116	ø 136	ø 122	ø 96	27	352	18 00 90
125	ø 125 - ø 140	ø 159	ø 145	ø 119	28	400	18 12 90
150	ø 160 - ø 175	ø 195	ø 181	ø 153	28	400	18 60 90

# SitaAttika

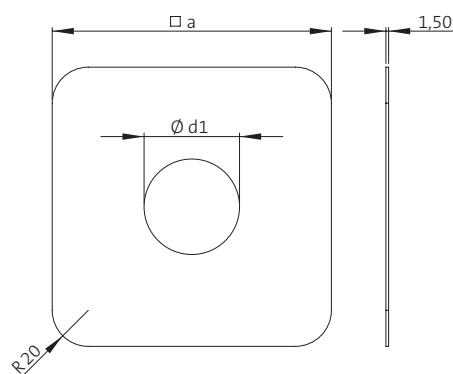
## Cladding cover plate



### Tender text

**SitaAttika cladding cover plate**, made of stainless steel, material number: 1.4301, to cover the parapet or wall opening in sizes DN 50 to DN 150, material thickness 1.5 mm, supply and installation to professional standards.

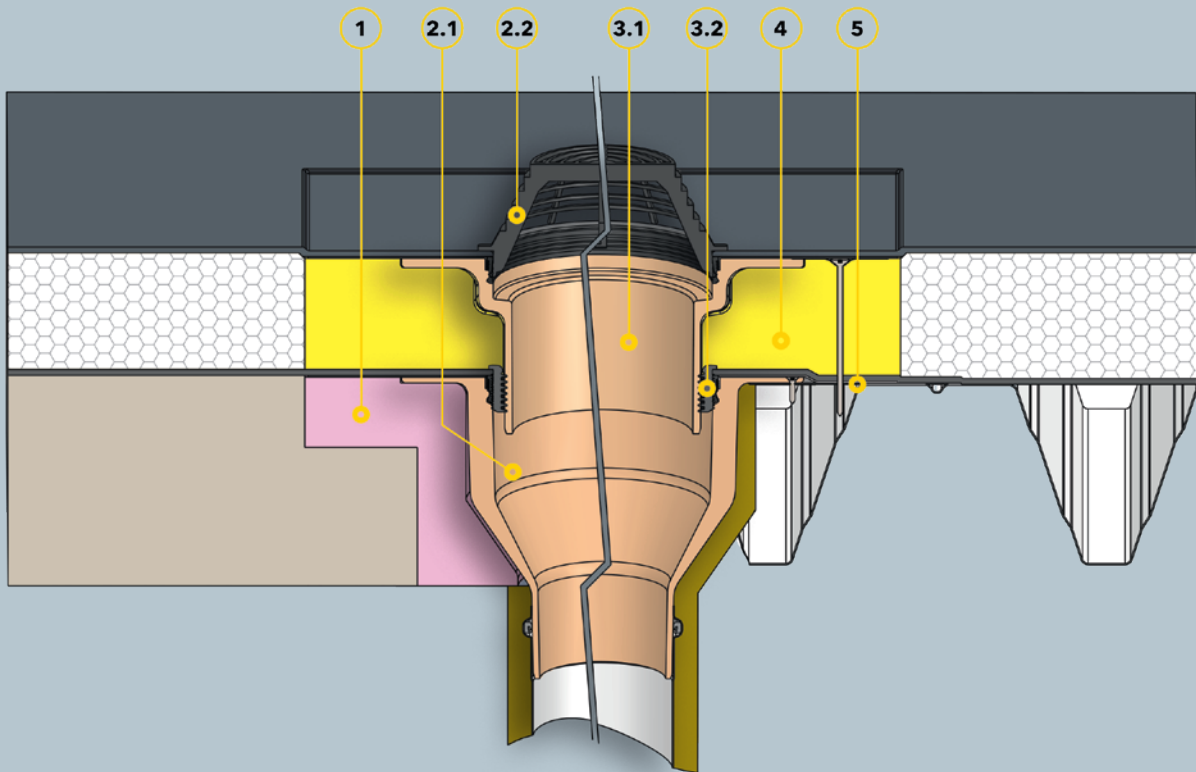
### Technical drawing



### Nominal diameters, dimensions and article numbers

Size DN	a (mm)	d1 (mm)	Article number
50	155	54	E18 90 25
70	180	79	E18 90 26
100	215	114	E18 90 27
125	230	129	E18 90 28
150	265	165	E18 90 29





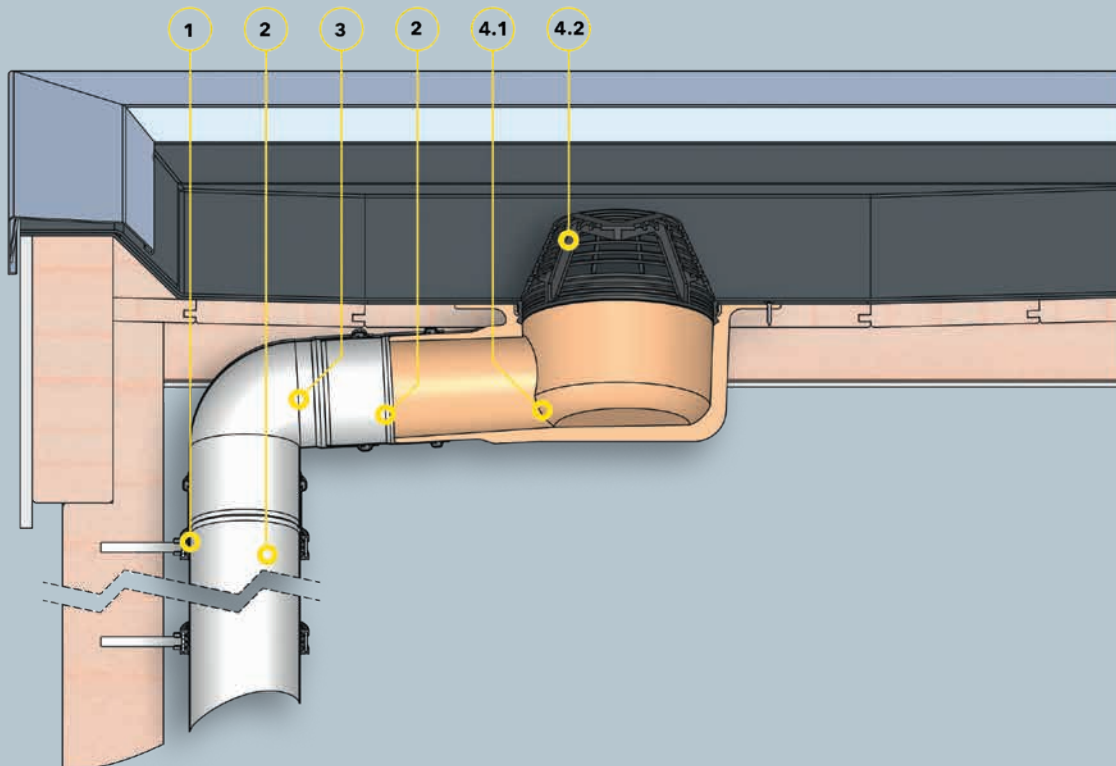
### Components

- 1 SitaStandard insulating body for rainwater outlet
- SitaStandard, vertical, consisting of:**
- 2.1 SitaStandard vertical base body
- 2.2 Dome grate
- SitaStandard extension unit, consisting of:**
- 3.1 SitaStandard extension unit base body
- 3.2 Sealing ring
- 4 SitaStandard insulating body for extension unit
- 5 SitaMore reinforcement plate

### Roof structure

**Non-ventilated roof structure to the general rules of engineering with:**

- + Waterproofing
- + Thermal insulation
- + Vapour barrier
- + Substructure



### Components

- 1 SitaAttika pipe clamp
- 2 SitaAttika pipe
- 3 SitaAttika bend
- SitaStandard angled, consisting of:**
- 4.1 SitaStandard angled base body
- 4.2 Dome grate

### Roof structure

- Ventilated roof structure to the general rules of engineering with:
- + Waterproofing
  - + Formwork
  - + Supporting structure